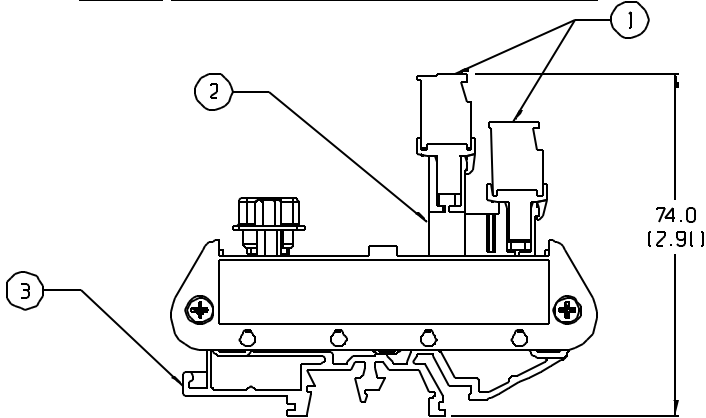


TYPICAL SCHEMATIC

NOTES:

1. MATERIAL: SEE TABLE
2. FINISHES: SEE TABLE
3. PRODUCT SPECIFICATION: NOT REQUIRED
4. PACKAGING: NOT REQUIRED
5. MATES WITH: 50 POSITION FEMALE D-SUB



3	2	DIN RAIL ADAPTOR UNIT	THERMOPLASTIC	BLACK
2	1	MALE D-SUB TO 5.08 HEADER, PC BOARD ASSY.	-	-
1	4	5.08 PLUGGABLE BTS, 13 POSITION	SEE SD-39860-004	BLACK

ITEM	QTY.	DESCRIPTION	MATERIAL	FINISH	PROJECT NO. 05-010	SHT	REV
					DIMENSIONS:		
					<input checked="" type="checkbox"/> mm	<input type="checkbox"/> INCH	<input type="checkbox"/> mm ONLY
					THIRD ANGLE PROJECTION		
					DRAWN BY & DATE C. YORK 11-15-04		
					CHECKED BY & DATE		
					APPROVED BY & DATE		
					TITLE: DIN RAIL INTERFACE MODULE, 50 POSITION MALE D-SUB TO 5.08 VERTICAL EUROSTYLE PLUG		
					MOLEX INCORPORATED		
					CAD FILENAME SD-39170-009	MATERIAL NO. 39170-2150	DRAWING NO. SD-39170-009
					SHEET NO. 1 OF 1		SIZE B

EE NO: RELEASED	QUALITY SYMBOLS	GENERAL TOLERANCES: (UNLESS SPECIFIED)
DRWN: CLY	MAJOR	mm INCH
CHK: CLY	CRITICAL	4 PLACES ±.0015 ±.0015
APPR: CLY	SPEC	3 PLACES ±.038 ±.005
		2 PLACES ±.13 ±.01
		1 PLACE ±.3
		ANGULAR: ±2°
		DRAFT WHERE APPLICABLE MUST REMAIN WITHIN DIMENSIONS

SCALE 1:1	DESIGN UNITS
<input type="checkbox"/> mm	<input checked="" type="checkbox"/> INCH
DRAWN BY & DATE	
CHECKED BY & DATE	
APPROVED BY & DATE	
CAD FILENAME	
SD-39170-009	

THIRD ANGLE PROJECTION	
TITLE: DIN RAIL INTERFACE MODULE, 50 POSITION MALE D-SUB TO 5.08 VERTICAL EUROSTYLE PLUG	
MOLEX INCORPORATED	
CAD FILENAME	MATERIAL NO.
SD-39170-009	39170-2150
DRAWING NO.	SHEET NO.
SD-39170-009	1 OF 1
THIS DRAWING CONTAINS INFORMATION THAT IS PROPRIETARY TO MOLEX INCORPORATED AND SHOULD NOT BE USED WITHOUT WRITTEN PERMISSION.	
SIZE B	